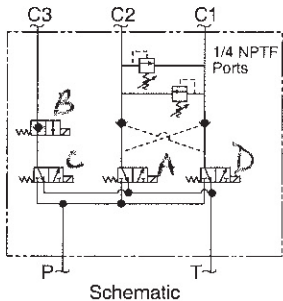
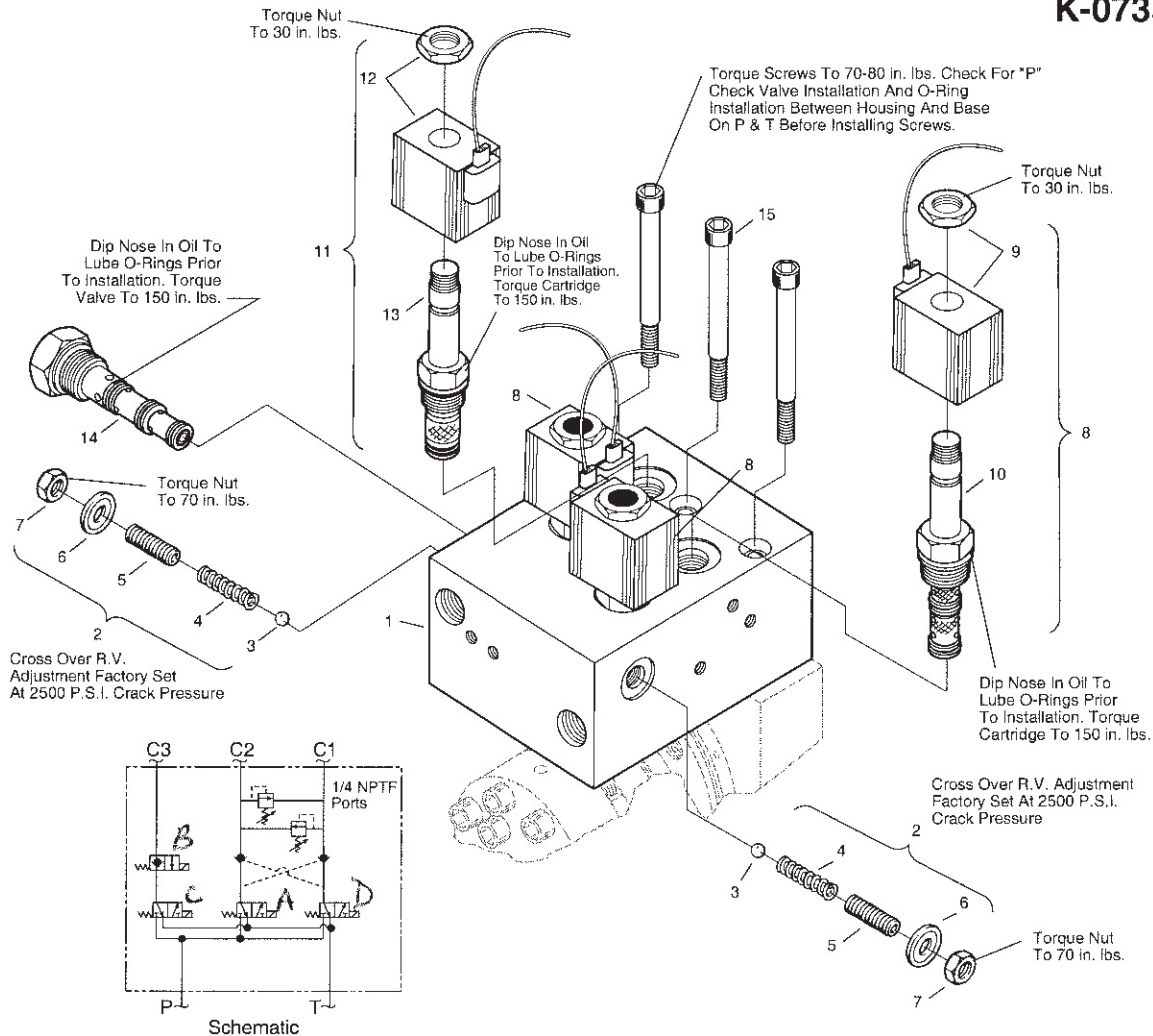




**MONARCH HYDRAULICS, INC.**  
 Grand Rapids, Mi.  
 Telephone: (616) 458-1306  
 Telefax: (616) 458-1616

# K-M Series Modular Kit Distribution Program

**K-07344 (12V)**  
**K-07356 (24V)**



NOTE: Pump Relief Must Be Adjusted To 1900-2000 PSI On This Unit When Used On A Snow Plow.

M-3593 Valve Assembly Kit, 12 VDC & 24 VDC								
Ref. No.	Part No.	Description	No. Req.		Ref. No.	Part No.	Description	No. Req.
1	<b>K-07344</b>	VALVE ASSEMBLY, (12V)	1		9	00678	•• COIL, 10 VDC, grounded	1
	<b>K-07356</b>	VALVE ASSEMBLY, (24V)	1			07301	•• COIL, 18 VDC, grounded	1
2	07527	• KIT, Relief Valve	2		10	00679	•• CARTRIDGE, 3-Way / 2-Position	1
3	00012	•• Ball, 1/4" Dia.	1		11	00707	• VALVE, 2-Way/2 Position (12V)	1
4	00147	•• SPRING, Relief M-SERIES	1			07158	• VALVE, 2-Way/2 Position (24V)	1
5	07899	•• SCREW, Socket, set, 3/8-16 x 1 1/4	1		12	00678	•• COIL, 10 VDC, grounded	1
6	03874	•• SEAL, Wash, screw, nut	1			07301	•• COIL, 18 VDC, grounded	1
7	07891	•• NUT, Hex, jam, 3/8-16unc	1		13	07193	•• CARTRIDGE, 2-Way / 2-Position	1
8	00662	• VALVE, 3-Way / 2-Position, (12V)	3		14	07346	• VALVE, Pilot operated, check, double	1
	07226	• VALVE, 3-Way / 2-Position, (24V)	3		15	07819	• SCREW, Socket head, 1/4-20 x 2 3/4	3

**M-3598**

Ref. No.	Part No.	Description	No. Req.
1	08111	MOTOR, Electric, 12 VDC	1
	08112	MOTOR, Electric, 12 VDC	1
	08120	MOTOR, Electric, 24 VDC	1
2	02318	• BEARING, Base, motor	1
3	07625	• NUT, Hex 5/16-24	1
4	07781	• WASHER, Lock 5/16"	1
5	07738	• SCREW, Hex Head Cap 1/4-20 x 6-1/2"	2
6	07737	• WASHER, Star 1/4"	2
7	03427	SWITCH, Solenoid, Optional 12 VDC, 3-post grounded to can	1
	03335	SWITCH, Solenoid, Optional 12 VDC 4-post isolated ground	1
	03467	SWITCH, Solenoid, Optional 24 VDC, 3 post, grounded to can	1
	03343	SWITCH, Solenoid, Optional 24 VDC, 3 post, insulated ground	1
8	01349	STRAP, Motor-Solenoid Connecting, Optional	1
9	07683	SCREW, Round Head Machine 10-32 x 1/4", Optional	2
10	02238	BRACKET, Mounting, Optional	1
11	07889	SCREW, Hex Head, thread forming 1/4-20 x 1-3/8", Optional	2
12	07471	PUMP ASSEMBLY, Gear Code 72	1
	12083	PUMP ASSEMBLY, Gear Code 62	1
	04273	PUMP ASSEMBLY, Gear Code 42	1
	04261	PUMP ASSEMBLY, Gear Code 43	1
	12000	PUMP ASSEMBLY, Gear Code 03	1
	04279	PUMP ASSEMBLY, Gear Code 51	1

Ref. No.	Part No.	Description	No. Req.
13	02352	• O-RING, Industrial (3-5/8 x 3-7/8 x 1/8)	1
14	07526	• PARTS KIT, Check Valve	1
15	00118	• O-RING, Industrial (5/8" x 3/4" x 1")	1
16	02159	• SEAL	1
17	07527	• PARTS KIT, Relief Valve	1
18	04286	ADAPTER, Optional	1
19	07900	CLAMP, Hose Worm Gear (in series)	1
20	03171	PLUG, Vent, 3/8" NPT	1
21	06102	RESERVOIR, 4-1/2" Dia. x 8", Plastic	1
	06103	RESERVOIR, 4-1/2" Dia. x 10", Plastic	1
	06104	RESERVOIR, 4-1/2" Dia. x 12", Plastic	1
22	01209	TUBE, Filter Suction 3/8 NPT 90 Deg.	1
23	01134	SCREEN, Filter (suction)	1
24	01203	TUBE, Return (1/8")	1
25	06042	RESERVOIR, 6" x 9", Steel	1
	06044	RESERVOIR, 6" x 13-1/2", Steel	1
26	07703	SCREW, Thread Forming, 10-24 x 3/8"	6
27	04845	RESERVOIR, 5-1/2" x 6-1/2" x 10", Plastic	1
	04846	RESERVOIR, 5-1/2" x 6-1/2" x 13-1/2", Plastic	1
	04687	RESERVOIR, 5-1/2" x 6-1/2" x 19", Plastic	1



U.S.A.:  
**MONARCH HYDRAULICS, INC.**  
 P.O. Box 1764, Grand Rapids, Michigan 49501-1764, U.S.A.  
 Telephone: (616) 458-1308  
 Telefax: (616) 458-1616  
<http://www.monarchhyd.com>

CANADA:  
**FLUID-PACK INTERNATIONAL LIMITED**  
 A Part of the Monarch Hydraulics Group  
 460 Newbold St., London, Ontario, Canada N6E 1K3  
 Telephone: (519) 686-5900  
 Telefax: (519) 686-8976

