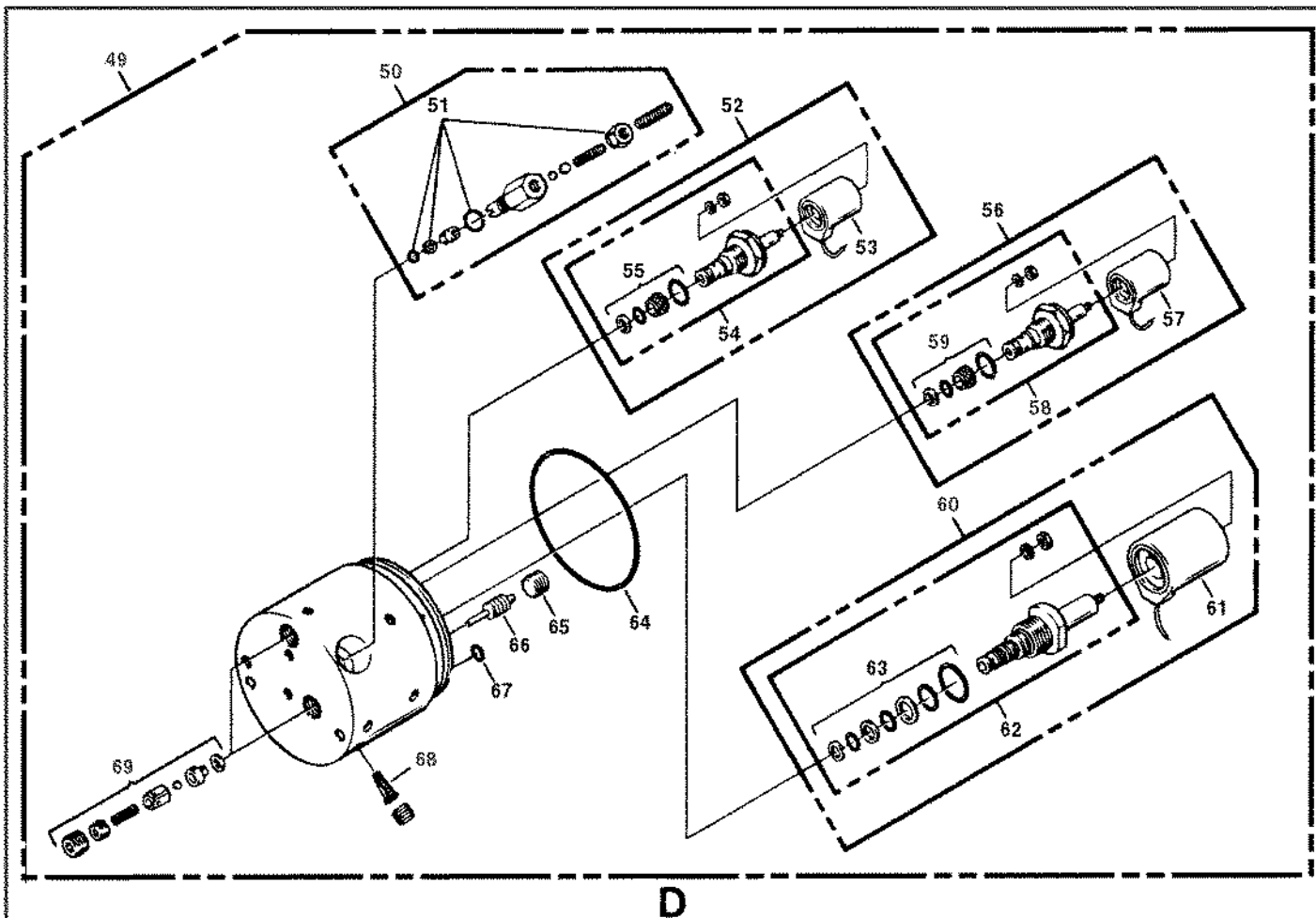
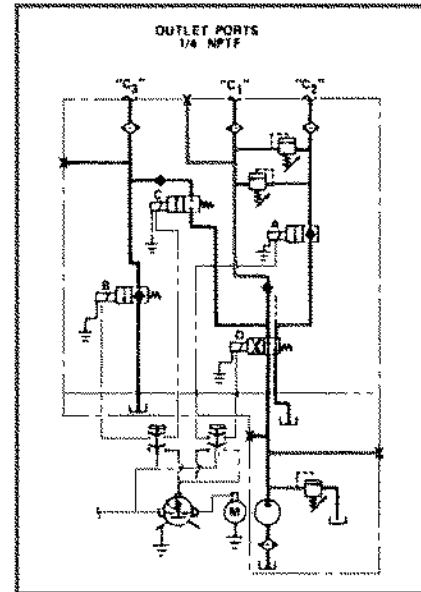
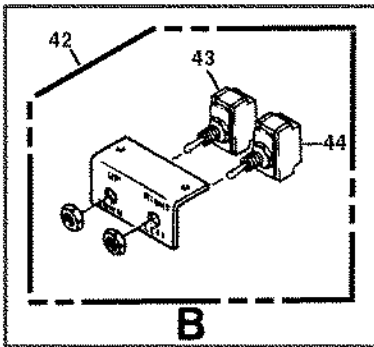
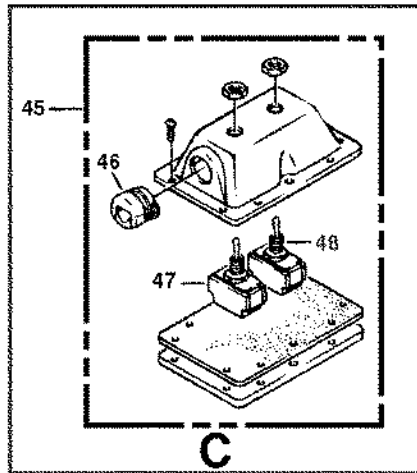
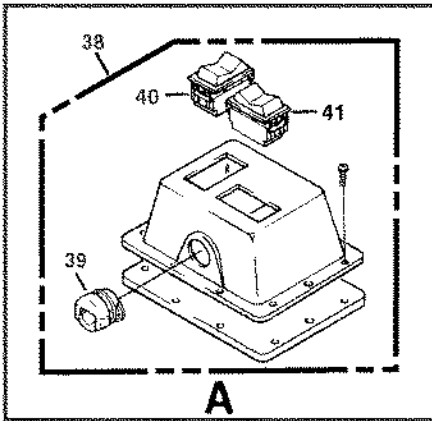


M-683 thru M-688

Ref. No.	Part No.	Description	No. Req.
1	03387 03741	CORD, Harness, box end CORD, Harness, pump end, valve grounded	1 1
2	03386	CORD, Harness, pump end, switches grounded	1
3	01349	STRAP, Motor-Solenoid Connecting	1
4	17071	SCREW, Round Head Machine 10-32 x 5/16"	2
5	03414	TERMINAL, Male Tab, 1/4" Slip-On	1
6	03427 03481	SWITCH, Solenoid, 12 VDC, 3 post SWITCH, Solenoid, 12 VDC, 3 post (weather proof)	1 1
	03336 03340	SWITCH, Solenoid, 12 VDC, 3 post SWITCH, Solenoid, 12 VDC, 3 post (weather proof)	1 1
	03335 03342	SWITCH, Solenoid, 12 VDC, 4 post SWITCH, Solenoid, 12 VDC, 4 post (weather proof)	1 1
	03467 03652	SWITCH, Solenoid, 24 VDC, 3 post SWITCH, Solenoid, 24 VDC, 3 post (weather proof)	1 1
	03343 03344	SWITCH, Solenoid, 24 VDC, 3 post SWITCH, Solenoid, 24 VDC, 3 post (weather proof)	1 1
7	01433	FITTING, Strain Relief, slotted	1
8	08111 08112 08120	MOTOR, Electric, 12 VDC MOTOR, Electric, 12 VDC MOTOR, Electric, 24 VDC	1 1 1
9	02318	• BEARING, Base, motor	1
10	07625	• NUT, Hex 5/16-24	1
11	07781	• WASHER, Lock 5/16"	1
12	07737	• WASHER, Star 1/4"	4
13	07795	• WASHER, Lock 1/4"	2
14	07738	• SCREW, Hex Head Cap, 1/4-20 x 6-1/2"	2
		FOR FURTHER BREAKDOWN OF MOTOR, SEE MOTOR SECTION	
15	04521	BRACKET ASSEMBLY, Mounting	1
16	07833	CLAMP, Hose (worm gear) #80 (2-11/16" to 5-1/2")	2
17	02238	BRACKET, Mounting	1
18	07717	SCREW, Hex Head, thread forming 1/4-20 x 1-3/8"	2
19	01329	ADAPTER, Pump Mounting Bracket	1

Ref. No.	Part No.	Description	No. Req.
20	01450-08.31	TUBE, Pressure, in-line internal (for 06703 reservoir)	1
	01450-10.31	TUBE, Pressure, in-line internal (for 06704 reservoir)	1
	01450-11.31	TUBE, Pressure, in-line internal (for 06705 reservoir)	1
21	12471	BASE ASSEMBLY, Modular	1
22	02159	• SEAL	1
23	00122	• O-RING, Industrial (3/8" x 9/16" x 3/32")	1
24	03766	• PARTS KIT, Relief Valve	1
25	02352	• O-RING, Industrial (3-5/8" x 3-7/8" x 1/8")	1
26	00120	• O-RING, Industrial (1/2 x 5/8 x 1/16)	1
27	K12171-150	PUMP ASSEMBLY, Modular	1
	K12171-200	PUMP ASSEMBLY, Modular	1
	K12171-250	PUMP ASSEMBLY, Modular	1
	K12171-270	PUMP ASSEMBLY, Modular	1
	K12171-330	PUMP ASSEMBLY, Modular	1
	K12171-380	PUMP ASSEMBLY, Modular	1
	K12171-510	PUMP ASSEMBLY, Modular	1
28	07819	• SCREW, 1/4-20 x 2 3/4 Socket Head Cap (For Pump Assembly -150 & -200)	4
	07818	• SCREW, 1/4-20 x 3 Socket Head Cap (For Pump Assembly -250, -270, -330, -380)	4
	07837	• SCREW, 1/4-20 x 3 1/4 Socket Head Cap (For Pump Assembly -510)	4
29	06703	RESERVOIR, 4-1/2 Dia. x 8", 60 cu. in. usable	1
	06704	RESERVOIR, 4-1/2 Dia. x 10", 85 cu. in. usable	1
	06705	RESERVOIR, 4-1/2 Dia. x 11", 98 cu. in. usable	1
30	01143	PLUG, Vent (plastic)	1
31	07703	SCREW, Thread Forming 10-24 x 3/8"	12
32	01209	TUBE, Filter Suction 3/8" NPT 90 Deg. (plastic)	1
33	01134	SCREEN, Filter (suction)	1
34	****	CYLINDER, Hydraulic (consult factory)	1
35	01274	TUBE, Return (1/8 NPT)	1
36	01339	TERMINAL, Closed End, connector (large)	1
37	01338	TERMINAL, Closed End, connector (small)	4



M-683 thru M-688

Ref. No.	Part No.	Description	No. Req.
38	03197	BOX ASSEMBLY, Rocker Switches, with float	1
	03201	BOX ASSEMBLY, Rocker Switches, without float	1
39	01414	• STRAIN RELIEF, (Plastic)	1
40	03395	• SWITCH, Rocker, with float	1
	03396	• SWITCH, Rocker (without float)	1
41	03397	• SWITCH, Rocker	1
42	03388	BRACKET ASSEMBLY, Toggle Switches, with float	1
	03389	BRACKET ASSEMBLY, Toggle Switches, without float	1
43	03392	• SWITCH, Toggle, with float	1
	03393	• SWITCH, Toggle (without float)	1
44	03394	• SWITCH, Toggle	1
45	03262	BOX ASSEMBLY, Toggle Switches, with float	1
	03254	BOX ASSEMBLY, Toggle Switches, without float	1
46	01414	• STRAIN RELIEF, (Plastic)	1
47	03394	• SWITCH, Toggle	1
48	03392	• SWITCH, Toggle With Float	1
	03393	• SWITCH, Toggle Without Float	1
49	00515	VALVE ASSEMBLY COMPLETE, 12 VDC, 3 way-4 way, with cross-overs, grounded coils	1
	00838	VALVE ASSEMBLY COMPLETE, 12 VDC, 3 way-4 way, with cross-overs, 2 lead coils	1
	00517	VALVE ASSEMBLY COMPLETE, 24 VDC, 3 way-4 way, with cross-overs, grounded coils	1
	01017	VALVE ASSEMBLY COMPLETE, 24 VDC, 3 way-4 way, with cross-overs, 2 lead coils	1
50	03641	• PARTS KIT, Valve, cross-over relief (for use with valve assemblies (00515, 00838, 00517, & 01017)	2
51	03694	• • PARTS KIT, Cross-Over Relief Valve(Seals)	2
52	00488	VALVE, 2 Way - 2 Position, poppet, 12 VDC, grounded coil	1
	00094	VALVE, 2 Way - 2 Position, poppet, 12 VDC, 2 leads	1
	00491	VALVE, 2 Way - 2 Position, poppet, 24 VDC, grounded coil	1
	00092	VALVE, 2 Way - 2 Position, poppet, 24 VDC, 2 leads	1
53	00496	COIL, 12 VDC, 2 Way - 2 Position, grounded coil	1
	00089	COIL, 12 VDC, 2 Way - 2 Position, 2 leads	1
	00497	COIL, 24 VDC, 2 Way - 2 Position, grounded coil	1
	00093	COIL, 24 VDC, 2 Way - 2 Position, grounded coil	1

Ref. No.	Part No.	Description	No. Req.
54	00262	• • CARTRIDGE, 2 Way - 2 Position poppet valve 12 VDC & 24 VDC	2
55	00121	• • • PARTS KIT, 2 Way - 2 Position, cartridge valve	2
56	00492	• VALVE, 2 Way - 2 Position, spool, 12 VDC, grounded coil	1
	00367	• VALVE, 2 Way - 2 Position, spool, 12 VDC 2 leads	1
	00493	• VALVE, 2 Way - 2 Position, spool, 24 VDC, grounded coil	1
	00383	• VALVE, 2 Way - 2 Position, spool 24 VDC, 2 leads	1
57	00496	• • COIL, 12 VDC, 2 Way - 2 Position, grounded 1 coil	1
	00089	• • COIL, 12 VDC, 2 Way - 2 Position, 2 leads	1
	00497	• • COIL, 24 VDC, 2 Way - 2 Position, grounded 1 coil	1
	00093	• • COIL, 24 VDC, 2 Way - 2 Position, 2 leads	1
58	00368	• • CARTRIDGE, 2 Way - 2 Position, spool valve, 12 VDC & 24 VDC	1
59	00121	• • • PARTS KIT, 2 Way - 2 Position, cartridge valve	1
60	00494	• VALVE, 4 Way-2 Position, 12 VDC, grounded 1 coil	1
	00095	• VALVE, 4 Way-2 Position, 12 VDC, 2 leads	1
	00495	• VALVE, 4 Way-2 Position, 24 VDC, grounded 1 coil	1
	00974	• VALVE, 4 Way - 2 Position, 24 VDC, 2 leads	1
61	00499	• • COIL, 12 VDC, 4 Way - 2 Position, grounded 1 coil	1
	00096	• • COIL, 12 VDC, 4 Way - 2 Position, 2 leads	1
	00498	• • COIL, 24 VDC, 4 Way - 2 Position, grounded 1 coil	1
	00292	• • COIL, 24 VDC, 4 Way - 2 Position, 2 leads	1
62	00266	• • CARTRIDGE, 4 Way - 2 Position, 12 VDC & 24 VDC	1
63	00112	• • • PARTS KIT, 4 Way - 2 Position, cartridge valve	1
64	02352	• O-RING, Industrial (3-5/8" x 3-7/8" x 1/8")	1
65	02349	• PLUG, Pipe, flush 3/8 NPT	1
66	00061	• PISTON ASSEMBLY, Pilot Check	1
67	00122	• O-RING, Industrial (3/8" x 9/16" x 3/32")	1
68	01316	• FILTER, Screen Pressure Ports	3
69	03624	• PARTS KIT, Valve Assembly, poppet/ball check	2
FOR FURTHER BREAKDOWN OF VALVE, SEE VALVE SECTION			



U.S.A.:
MONARCH HYDRAULICS, INC.
 P.O. Box 1764, Grand Rapids, Michigan 49501-1764, U.S.A.
 Telephone: (616) 458-1306
 Telefax: (616) 458-1616
<http://www.monarchhyd.com>

CANADA:
FLUID-PACK INTERNATIONAL LIMITED
 A Part of the Monarch Hydraulics Group
 460 Newbold St., London, Ontario, Canada N6E 1K3
 Telephone: (519) 686-5900
 Telefax: (519) 686-8976