

3.33 Model M-3593

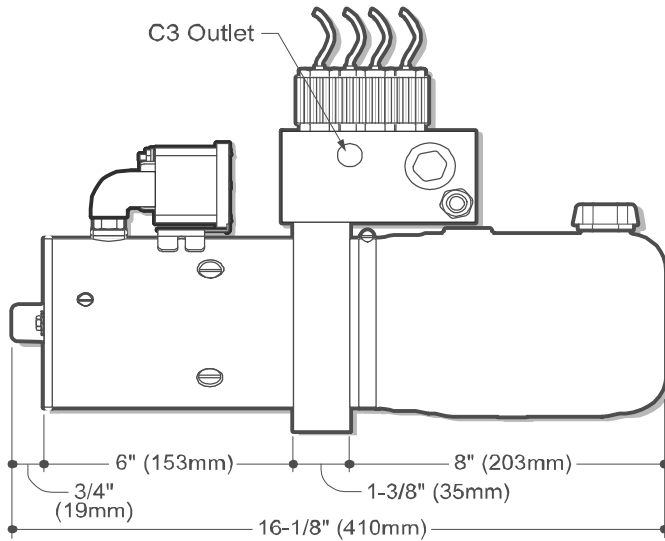
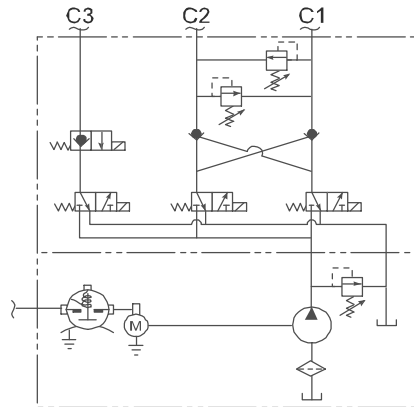
Description

- Pump / Motor / Reservoir / Valve
- Externally Adjustable Relief Valve
- Solenoid Cartridge Valves, Pilot Operated Check Valves and Adjustable Cross-Over Relief System Mounted In a Compact Manifold
- Ideal System For Operating a Snow Plow. Power Up, Hold, Gravity Down, Left, Right
- Horizontal Mounting Standard

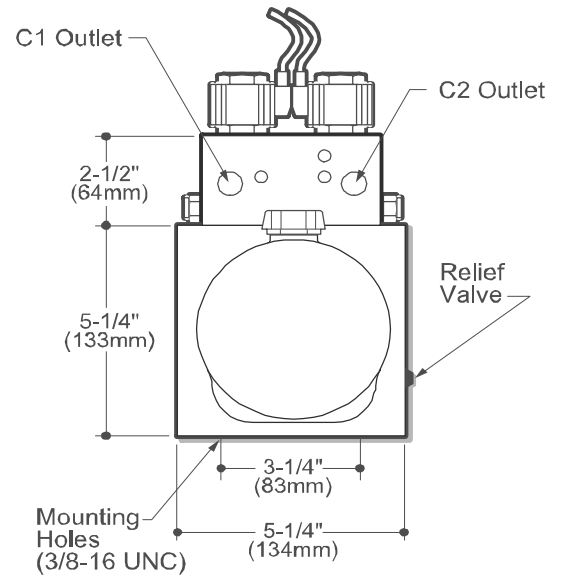
Popular Options

- Control Box and Cord
- Vertical Mounting / Motor Up

Schematic



SIDE VIEW



END VIEW

How to Order Your M-3593

Comprehensive information may be found on the page referenced below each selection category.

Shown as standard with:

Pump	Motor	Voltage	Reservoir (Length)	Motor Start Switch	Mounting Position	Accessories	Control Boxes
	08111	12	06102	17757	Horizontal		
Ref. Page	Ref. Page 52		Ref. Page 76-86	Ref. Page 89		Ref. Page 92	Ref. Page 90